



Foundations

Bamboo Flooring



THE FOUNDATIONS BAMBOO STORY

When we set out to develop a line of bamboo flooring, we had tall expectations. Our aim was to develop a flooring line that balanced durability, style, and cost with our high environmental standards. After several years of intensive research, we finally found the product that we know will be right for you. We are pleased to offer you a bamboo flooring option that is manufactured in a state-of-the-art factory, by craftspeople who take pride in the quality of their work, which will provide you with year after year of satisfaction.



WHY USE FOUNDATIONS BAMBOO?

- Bamboo is significantly more renewable than wood flooring options; reaching maturity in 7 years as opposed to 80-120 years.
- The adhesives used in the manufacturing of Foundations Bamboo are environmentally sound. All Strand flooring is made with no added urea-formaldehyde binders. All Foundations floors meet stringent European (E1) emissions standards.
- Bamboo is a very durable material and our bamboo strand is almost twice as hard as Red Oak (Janka ball test).
- Our bamboo floor is precision milled with tongue and groove to allow for easy install; installs with nails, glue, or staples over plywood or concrete slab. Learn about our new floating option below.
- Our floors are finished with six-coats of non-toxic, extremely durable UV cured aluminum oxide infused polyurethane that is durable and does not off-gas.

Click Flooring (floating)

Now offering the durability of a solid strand woven bamboo floor in a convenient click together (floating) floor. Ideal for installation over radiant heat systems and concrete subfloors. Foundations Strand Click flooring is the only offering that is warranted over radiant heat. Please follow installation instructions.



Strand Flooring Options



*Tongue and groove should not be installed over radiant heat. Damage from such installation is not covered by warranty. These warranties are applicable to the original end-consumer only and are non-transferable.

Strand Tongue & Groove Flooring

| Colors | Code | Dimensions | Installation | SF per Box | Lbs per Box | Edge |
|---|---------|--------------------------|-------------------------|--------------------------|-------------|--|
| Prefinished | | | | | | |
| Natural | BBFSN | 72 4/5" x 3 4/5" x 9/16" | Nail Staple or Glue | 12 pieces/box (22.93 sf) | 71.5 | 4 Side Tongue & Groove, Micro-bevel |
| Carbonized | BBFSC | | | | | |
| Tiger | BBFST | | | | | |
| Prefinished Stained | | | | | | |
| Ebony | BBFSE | 72 4/5" x 3 4/5" x 9/16" | Nail Staple or Glue | 12 pieces/box (22.93 sf) | 71.5 | 4 Side Tongue & Groove, Micro-bevel |
| Chestnut | BBFSCN | | | | | |
| Unfinished | | | | | | |
| Natural | BBFSNUN | 72 4/5" x 3 4/5" x 9/16" | Nail Staple or Glue | 12 pieces/box (22.93 sf) | 71.5 | 4 Side Tongue & Groove, Square Edge |
| Carbonized | BBFSCUN | | | | | |
| Prefinished Click & Lock | | | | | | |
| Natural | BBFSNC | 72" x 3 4/5" x 9/16" | Click & Lock (Floating) | 8 pieces/box (17.64 sf) | 53.6 | 4 Side Click & Lock Mechanism, Micro-bevel |
| Carbonized | BBFSCC | | | | | |
| Prefinished Tongue & Groove Solid Strip Flooring | | | | | | |
| Horizontal Natural | BBFHNN | 72 4/5" x 3 4/5" x 9/16" | Nail Staple or Glue | 12 pieces/box (23.8 sf) | 50.6 | 4 Side Tongue & Groove, Micro-bevel |
| Horizontal Carbonized | BBFHCC | | | | | |
| Vertical Natural | BBFVNN | | | | | |
| Vertical Carbonized | BBFVCN | | | | | |

Solid Strip Options



Vertical Carbonized



Vertical Natural



Horizontal Carbonized

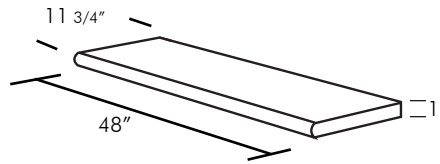


Horizontal Natural

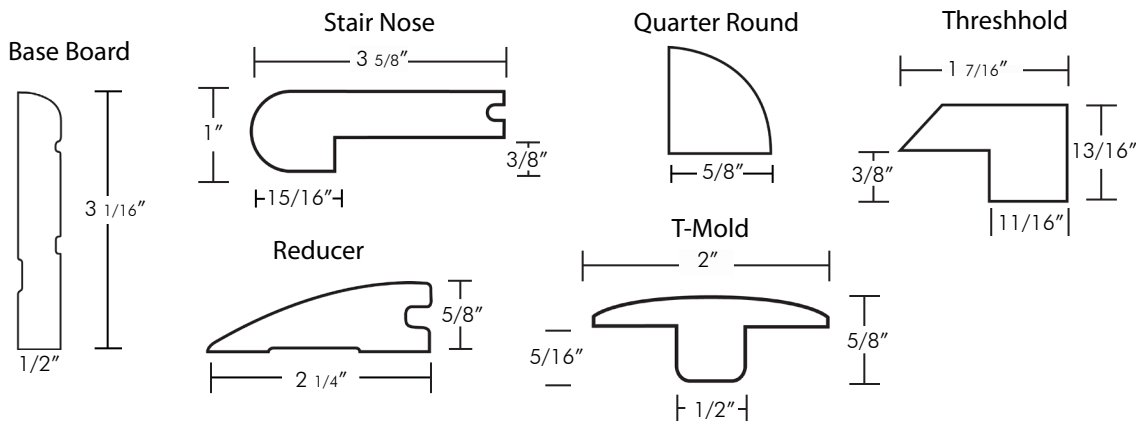
GENERAL INFORMATION

- 25 year Residential Warranty
- 10 year Commercial Finish Warranty
- Lifetime Structural Warranty
- Pre finished with Klumpp Aluminum Oxide Finish
- Premium Select Grade

STAIR TREADS



TRIM OPTIONS



Care & Maintenance

- We recommend vacuuming or sweeping to remove dirt and grit prior cleaning the floor.
- Never use wax, oil, soap, scouring pads, or other household cleaners on your floor.
- Damp mop (not wet mop!) with clean water, or with a wood floor cleaner.
- Wipe dry immediately until no moisture is visible on the floor.
- We recommend the eCloth Mop Set (microfiber) for superior cleaning with water only.



info@greenmakerindustries.com

Dealer
Information